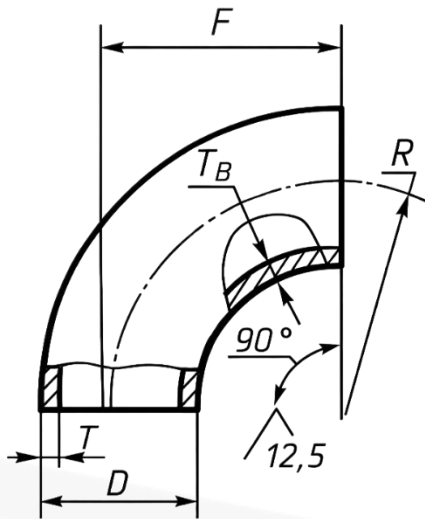


## РАЗМЕРНЫЕ ХАРАКТЕРИСТИКИ

## ОТВОД 90° БЕСШОВНЫЙ



Производственный стандарт: **ГОСТ 17375**

Размерный стандарт: **ГОСТ**

## ГОСТ. Исполнение 1

DN	D	T	F=R	H	C	B
15	21,3	2,0	28	14	56	38
		3,2				
		4,0				
20	26,9	2,0	29	14	58	43
		3,2				
		4,0				
25	33,7	2,3	38	18	76	56
		3,2				
		4,5				
32	42,4	2,6	48	23	96	69
		3,6				
		5,0				
40	48,3	2,6	57	29	114	82
		3,6				
		5,0				
50	60,3	2,9	76	35	152	106
		4,0				
		5,6				
65	76,1	2,9	95	44	190	133
		5,0				
		7,1				
80	88,9	3,2	114	51	228	159
		5,6				
		8,0				

## РАЗМЕРНЫЕ ХАРАКТЕРИСТИКИ

## ОТВОД 90°

DN	D	T	F=R	H	C	B
100	114,3	3,6 6,3 8,8	152	64	304	210
125	139,7	4,0 6,3 10,0	190	79	380	260
150	168	4,5 7,1 11,0	229	95	457	313
300	323,9	7,1 10,0	457	190	914	619
350	355,6	8,0 11,0	533	222	1066	711
400	406,4	8,8 12,5	610	254	1220	813
450	457,0	10,0	686	286	1372	914
500	508,0	11,0	762	318	1524	1016
600	610,0	12,5	914	381	1828	1219
700	711,0	-	1067	444	2134	1422
800	813,0	-	1219	507	2238	-
900	914,0	-	1372	570	2744	-
1000	1016,0	-	1524	634	3048	-

## РАЗМЕРНЫЕ ХАРАКТЕРИСТИКИ

ОТВОД 90°

ГОСТ. Исполнение 2

DN	D	T	F=R	W	H	C	B
25	32	2,0	38	22	18	76	56
		2,5					
		3,0					
		3,5					
32	38	2,0	48	28	23	96	69
		2,5					
		3,0					
		3,5					
		4,0					
40	45	2,5	60	35	25	120	83
		3,0					
		3,5					
		4,0					
		5,0					
50	57	2,5	75	43	80	150	104
		3,0					
		3,5					
		4,0					
		5,0					
		5,5					
65	76	3,0	100	57	41	200	138
		3,5					
		4,0					
		4,5					
		5,0					
		5,5					
		6,0					
		7,0					
8,0							



## РАЗМЕРНЫЕ ХАРАКТЕРИСТИКИ

ОТВОД 90°

DN	D	T	F=R	W	H	C	B	
125	133	3,5	190	110	79	380	257	
		4,0						
		4,5						
		5,0						
		6,0						
		7,0						
		8,0						
		9,0						
		10,0						
		11,0						
		12,0						
150	159	4,0	225	130	93	450	305	
		4,5						
		5,0						
		6,0						
		7,0						
		8,0						
		9,0						
	10,0							
	11,0							
	12,0							
	13,0							
	14,0							
	168	168						4,0
								4,5
5,0								
6,0								
7,0								
8,0								
9,0								
10,0								
11,0								
12,0								
13,0								
14,0								

## РАЗМЕРНЫЕ ХАРАКТЕРИСТИКИ

ОТВОД 90°

DN	D	T	F=R	W	H	C	B
200	219	5,0	300	173	124	600	410
		6,0					
		7,0					
		8,0					
		9,0					
		10,0					
		11,0					
		12,0					
		13,0					
		14,0					
		15,0					
		16,0					
		17,0					
18,0							
250	273	6,0	375	217	155	750	512
		7,0					
		8,0					
		9,0					
		10,0					
		11,0					
		12,0					
		13,0					
		14,0					
		15,0					
		16,0					
		17,0					
		18,0					
20,0							
22,0							

## РАЗМЕРНЫЕ ХАРАКТЕРИСТИКИ

ОТВОД 90°

DN	D	T	F=R	W	H	C	B
300	325	7,0	450	260	186	900	613
		8,0					
		9,0					
		10,0					
		11,0					
		12,0					
		13,0					
		14,0					
		15,0					
		16,0					
		17,0					
		18,0					
		20,0					
		22,0					
24,0							
26,0							
28,0							
350	377	9,0	525	303	217	1050	714
		10,0					
		11,0					
		12,0					
		13,0					
		14,0					
		15,0					
		16,0					
		17,0					
		18,0					
		20,0					
		22,0					
		24,0					
		26,0					
28,0							
20,0							
32,0							

## РАЗМЕРНЫЕ ХАРАКТЕРИСТИКИ

ОТВОД 90°

DN	D	T	F=R	W	H	C	B
400	426	8,0	600	346	248	1200	813
		9,0					
		10,0					
		11,0					
		12,0					
		13,0					
		14,0					
		15,0					
		16,0					
		17,0					
		18,0					
		20,0					
		22,0					
		24,0					
		26,0					
		28,0					
30,0							
32,0							
34,0							
500	377	9,0	750	433	310	1500	1015
		10,0					
		11,0					
		12,0					
		13,0					
		14,0					
		15,0					
		16,0					
		17,0					
		18,0					
		20,0					
		22,0					
		24,0					
		26,0					
		28,0					
		20,0					
32,0							
34,0							
36,0							

## РАЗМЕРНЫЕ ХАРАКТЕРИСТИКИ

ОТВОД 90°

DN	D	T	F=R	W	H	C	B
600	630	9,0	900	519	373	1800	1215
		10,0					
		11,0					
		12,0					
		13,0					
		14,0					
		15,0					
		16,0					
		17,0					
		18,0					
		20,0					
		22,0					
		24,0					
		26,0					
		28,0					
30,0							
32,0							
700	720	9,0	1000	577	404	2000	1360
		10,0					
		11,0					
		12,0					
		13,0					
		14,0					
		15,0					
		16,0					
		17,0					
		18,0					
		20,0					
		22,0					
		24,0					
		26,0					
		28,0					
30,0							
32,0							

## РАЗМЕРНЫЕ ХАРАКТЕРИСТИКИ

ОТВОД 90°

DN	D	T	F=R	W	H	C	B
800	820	9,0 10,0 11,0 12,0 13,0 14,0 15,0 16,0 17,0 18,0 20,0 22,0 24,0 26,0 28,0 30,0 32,0	1200	693	485	2400	1610