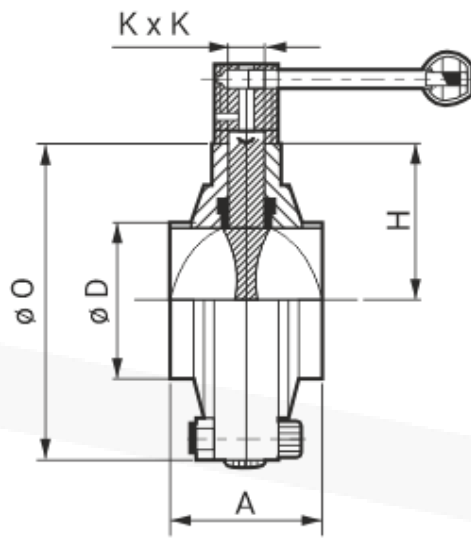


## РАЗМЕРНЫЕ ХАРАКТЕРИСТИКИ

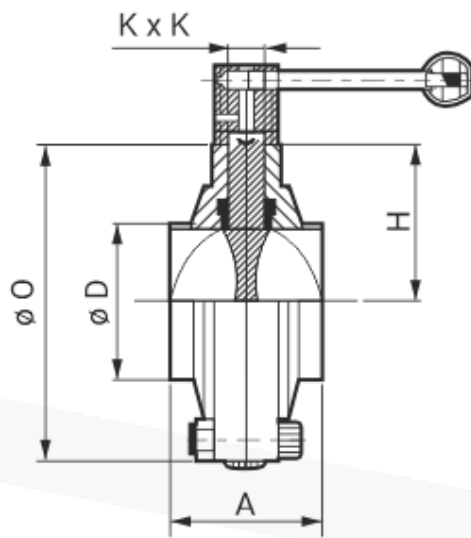
## ЗАТВОР ДИСКОВЫЙ 90°



Размерный стандарт: DIN  
 Номинальное давление: до 16 бар  
 Тип соединения: сварка

DN	O	D	KxK	A	H
15	78,0	18,0	9.5x9.5	50,0	39,0
20	78,0	22,0	9.5x9.5	50,0	39,0
25	78,0	28,0	9.5x9.5	50,0	39,0
32	86,0	34,0	9.5x9.5	50,0	43,0
40	95,0	40,0	9.5x9.5	50,0	45,0
50	108,0	53,0	9.5x9.5	52,0	53,0
65	125,0	70,0	9.5x9.5	56,0	62,0
80	140,0	85,0	9.5x9.5	60,0	69,5
100	160,0	104,0	9.5x9.5	64,0	79,5
125	190,0	129,0	14,0x14,0	80,0	92,5
150	220,0	154,0	14,0x14,0	90,0	107,5

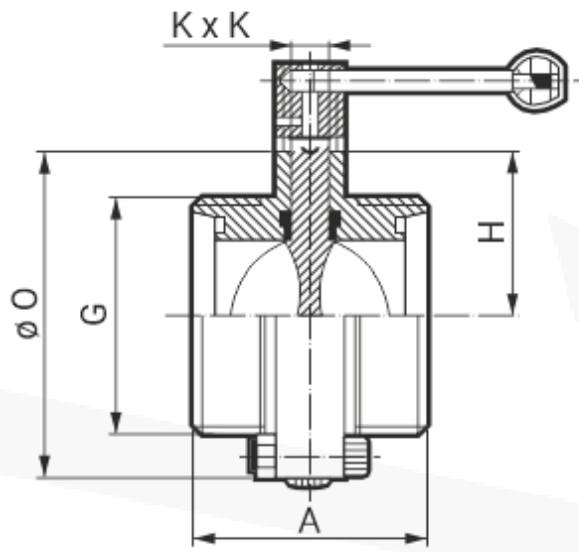
## ЗАТВОР ДИСКОВЫЙ 90°



Размерный стандарт: SMS  
 Номинальное давление: до 16 бар  
 Тип соединения: сварка

DN	O	D	KxK	A	H
20	78,0	19,0	9.5x9.5	50,0	39,0
25	78,0	25,4	9.5x9.5	50,0	39,0
40	86,0	38,1	9.5x9.5	52,0	43,0
50	102,0	50,8	9.5x9.5	56,0	51,0
65	115,0	63,5	9.5x9.5	56,0	57,5
80	128,0	76,2	9.5x9.5	56,0	64,0
100	154,0	101,6	9.5x9.5	64,0	77,0

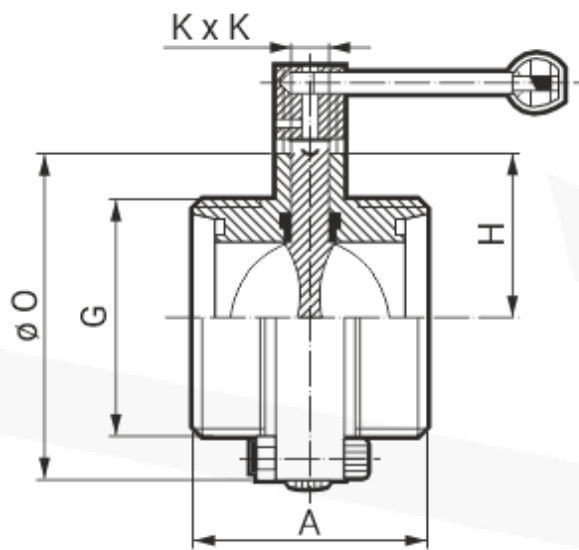
## ЗАТВОР ДИСКОВЫЙ 90°



Размерный стандарт: DIN  
 Номинальное давление: до 16 бар  
 Тип соединения: резьба

DN	O	G	KxK	A	H
15	78,0	RD34x1/8	9.5x9.5	66,0	39,0
20	78,0	RD44x1/6	9.5x9.5	66,0	39,0
25	78,0	RD52x1/6	9.5x9.5	66,0	39,0
32	86,0	RD58x1/6	9.5x9.5	70,0	43,0
40	95,0	RD65x1/6	9.5x9.5	74,0	45,0
50	108,0	RD78x1/6	9.5x9.5	76,0	53,0
65	125,0	RD95x1/6	9.5x9.5	84,0	62,0
80	140,0	RD110x1/4	9.5x9.5	90,0	69,5
100	160,0	RD130x1/4	9.5x9.5	104,0	79,5
125	190,0	RD160x1/4	14,0x14,0	130,0	92,5
150	220,0	RD190x1/4	14,0x14,0	150,0	107,5

## ЗАТВОР ДИСКОВЫЙ 90°



Размерный стандарт: SMS  
 Номинальное давление: до 16 бар  
 Тип соединения: резьба

DN	O	G	KxK	A	H
25	78,0	RD40x1/6	9.5x9.5	66,0	39,0
32	78,0	RD48x1/6	9.5x9.5	66,0	39,0
40	86,0	RD60x1/6	9.5x9.5	70,0	43,0
50	102,0	RD70x1/6	9.5x9.5	76,0	51,0
65	115,0	RD85x1/6	9.5x9.5	80,0	57,2
80	128,0	RD98x1/6	9.5x9.5	84,0	64,0
100	154,0	RD125x1/6	9.5x9.5	104,0	77,0